

HV2 Precleaner with V-Tips

High Efficiency Tungsten-Carbide Precleaner

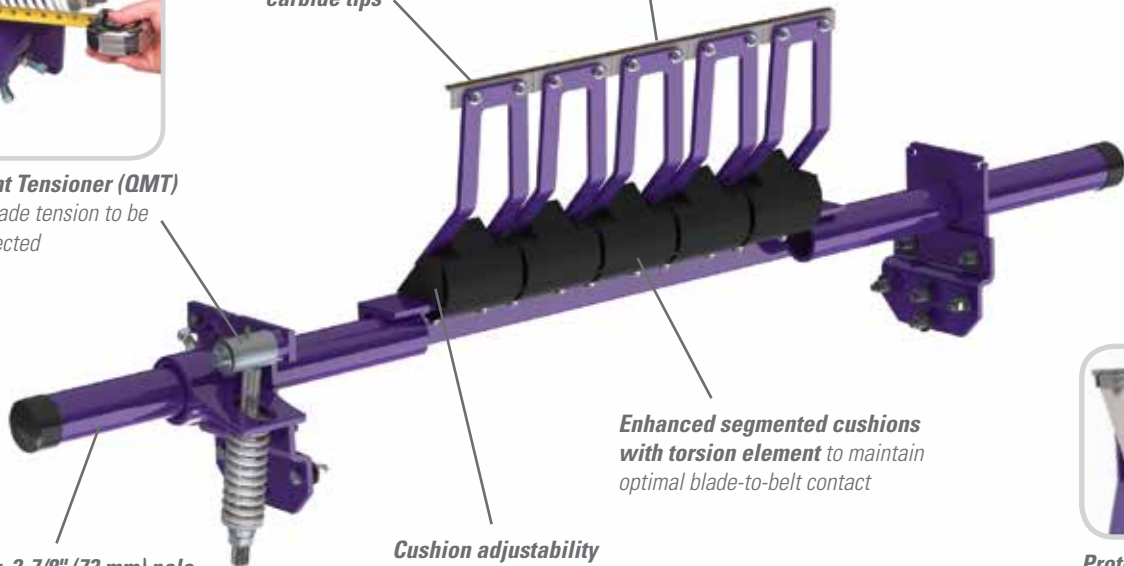
The Flexco HV2 Precleaner with V-Tips is designed to be positioned on the head pulley and to remove the bulk of the carryback from the belt. Utilizing a new cushion design, the HV2 improves on the H-Type which has proven performance over 20 years as the most efficient pre-cleaner in material handling applications such as coal, iron ore, bauxite and hard rock mining with vulcanized belts.



Quick Mount Tensioner (QMT)
allows the blade tension to be visually inspected

Durable tungsten carbide tips

6" segmented blades ensure proper wear throughout the life of the blade



Heavy-duty, 2-7/8" (73 mm) pole
ensures durability for those tough applications

Cushion adjustability
so no shimming is required

Enhanced segmented cushions with torsion element to maintain optimal blade-to-belt contact



Protected V-Tip Option

Features and Benefits

- **Works with vulcanized belts.** The tungsten carbide tips allow for maximum cleaning efficiency and superior wear characteristics. Also available with protected tips for abrasive applications.
- **Complete cleaning system.** When teamed with a secondary cleaner, it makes up a system that delivers maximum cleaning power for the most abusive conveyor applications.
- **Made for mining conveyors.** Made from heavy-duty steel with corrosion-resistant powder coating, the HV2 is available in sizes for belt widths from 18" to 72" (450 to 1800mm). Additional sizes are available upon request.
- **Optimal positioning.** Blade contact on the pulley is 15° below the horizontal centerline. This keeps the blades out of the discharge path and protects them from rocks, large lumps and other debris.
- **6" (150mm) Tips** for better conformity to the belt.
- **Incorporates torsion element design** and cushion adjustability so no shimming is required to ensure proper blade to belt contact.

HV2 Precleaner with V-Tips

Specifications and Guidelines

Maximum Belt Speed
1500 FPM (7.6 M/sec)

Temperature Rating
-30° F to 180° F (-35° C to 82° C)

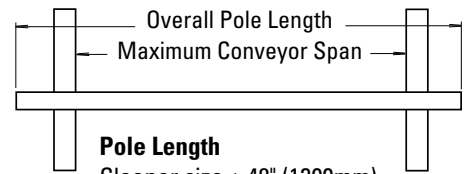
Minimum Pulley Diameter
10" (250mm)

CEMA Cleaner Rating
Class 4

Usable Blade Wear Length
3/8" (9mm)

Blade Material
Tungsten carbide (for vulcanized belts only)

Available for Belt Widths
18" to 72" (450 to 1800mm)



Pole Length
Cleaner size + 48" (1200mm)

Maximum Conveyor Span
Cleaner size + 38" (950mm)

Ordering Information

HV2 Precleaner with V-Tips*				
Belt Width		Suspension Arm Size	Ordering Number	Item Code
in.	mm			
18	450	SS	HV2-18SS	79323
18	450	S	HV2-18S	79324
18	450	M	HV2-18M	79325
24	600	SS	HV2-24SS	79326
24	600	S	HV2-24S	79327
24	600	M	HV2-24M	79328
30	750	SS	HV2-30SS	79329
30	750	S	HV2-30S	79330
30	750	M	HV2-30M	79331
36	900	SS	HV2-36SS	79332
36	900	S	HV2-36S	79333
36	900	M	HV2-36M	79334
36	900	L	HV2-36L	79335
42	1050	SS	HV2-42SS	79336
42	1050	S	HV2-42S	79337
42	1050	M	HV2-42M	79338
42	1050	L	HV2-42L	79339
42	1050	LL	HV2-42LL	79340
48	1200	SS	HV2-48SS	79341
48	1200	S	HV2-48S	79342
48	1200	M	HV2-48M	79343
48	1200	L	HV2-48L	79344
48	1200	LL	HV2-48LL	79345
54	1350	S	HV2-54S	79346
54	1350	M	HV2-54M	79347
54	1350	L	HV2-54L	79348
54	1350	LL	HV2-54LL	79349
60	1500	S	HV2-60S	79350
60	1500	M	HV2-60M	79351
60	1500	L	HV2-60L	79352
60	1500	LL	HV2-60LL	79353
72	1800	S	HV2-72S	79354
72	1800	M	HV2-72M	79355
72	1800	L	HV2-72L	79356
72	1800	LL	HV2-72LL	79357

*NOTE: V-Tips can be used ONLY on vulcanized belts.
Suspension arm size is determined by head pulley diameter - see chart.
Additional sizes available upon request.
Lead time: 1 working day

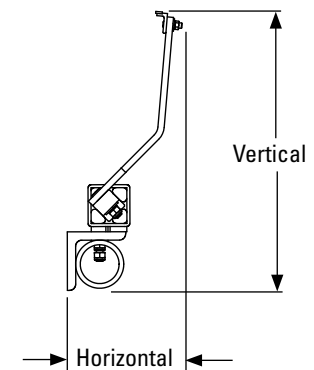
Suspension Arm Size		
Head Pulley Diameter + Belt & Lagging		Suspension Arm Size
in.	mm	
10 - 19	250-475	SS
20 - 31	500-775	S
32 - 39	800-975	M
40 - 47	1000-1175	L
48 - 67	1200-1675	LL

Replacement V-Tips	
Ordering Number	Item Code
HV2T-S/S	79367

Lead time: 1 working day

Replacement Protected V-Tips	
Ordering Number	Item Code
HV2PT	79368

Lead time: 1 working day



Horizontal Clearance Required
8-1/4" (210mm)

Vertical Clearance Required
SS: 12-5/8" (320mm)
S: 15-3/8" (390mm)
M: 16-5/8" (416mm)
L: 17-1/2" (445mm)
LL: 20-1/8" (511mm)

Distribution in Europe by:
Flexco Europe GmbH • Leidringer Strasse 40-42 • D-72348 Rosenfeld • Germany
Phone: +49-7428-9406-0 • Fax: +49-7428-9406-260 • E-mail: europe@flexco.com • Web: www.flexco.com

©2016 Flexible Steel Lacing Company. 03/16. For reorder: X3642

Authorized Distributor:

